

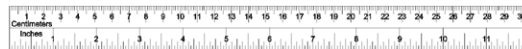


installation

1. PREPARATION

Measure the installation and mark the holding points. The recommended distance between holding points is 0.5 m.

The area must be free of dust and dirt for a correct adhesion. Clean only with a dry or slightly damp cloth. Do not use any acid or alkaline liquid, cleansing agents or solvents.



2. CUT

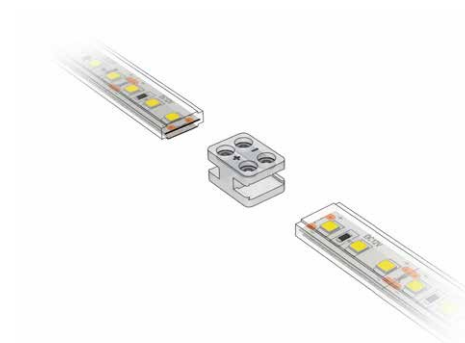
Use a sharp tool to cut the strips only in the indicated areas. Cutting the strips out of these areas may lead to improper functioning.



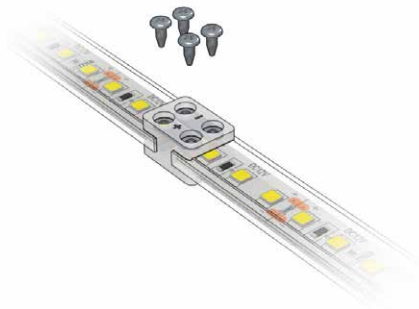
3. STRIPS CONNECTIONS

Our patented connection solutions are specially designed to reduce installation and maintenance time. Soldering is not required.

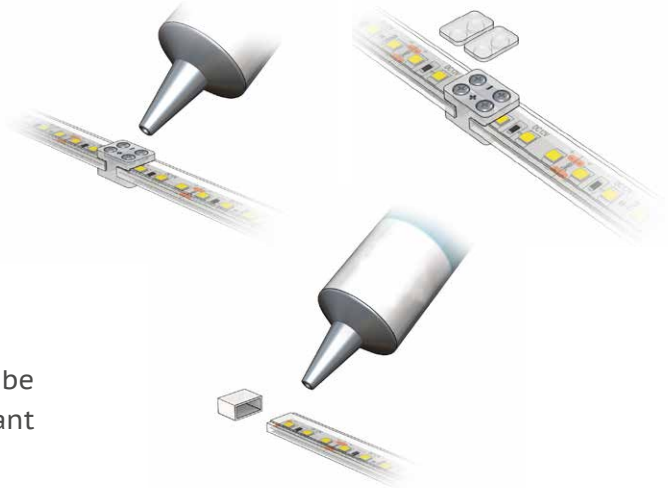
Insert the extreme of the strip inside the connector selected as indicated below. The copper paths must be positioned below the screw holes.



Screw the connector to the strip.



Apply sealant on top of the screw heads and insert the screw cap applying pressure.



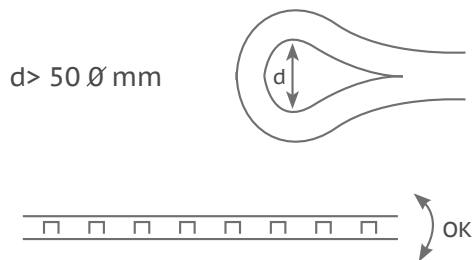
For safety reasons, the end of the strip must be covered with the silicone end cap. Apply sealant and insert the strip in the cap.

4. FIXING

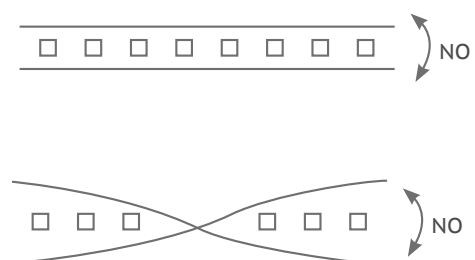
For final fixing and positioning, remove the 3M double sided tape and place the strip in the right position.

Do not twist the strips or bend it in the wrong direction.

Correct bending ways



Incorrect bending ways



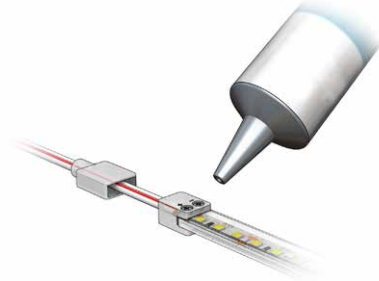
Use compatible fixing profiles if needed.



Above you can find the different types of standard profiles in the market. Make sure that you choose a compatible profile with our strip dimensions (Inner housing of the profile min. 12x4 mm).

5. POWER CONNECTIONS

The power connector must be screwed as mentioned before. Apply sealant and insert the silicone end cap covering the connector and the strip as shown in the image.



IMPORTANT

For safety reasons, switch off the general power before connecting the strip to the power source.



GENERAL CONSIDERATIONS

DO NOT MODIFY, deform or cut the strips or any of the components provided by Profiled. Profiled AC strips are designed to work directly plugged into an AC source. No power supply mean is needed. To avoid any malfunctions of the system, and to protect against electrical shock, fire, or physical injury, please observe the following: This system has been designed to work with 240 volts AC current. Connection to a line voltage other than that may create a safety and fire hazard and may damage the system. If you are unsure of the type of power supply, consult your local power company or a qualified service technician.

TO AVOID ELECTRICAL SHOCK and/or damage to the system, do not handle the components with wet hands. Always make sure the LED Cable strip is disconnected from the power source before cutting, connecting, mounting, or modifying in any way.

DO NOT OPERATE with the LED strip tightly coiled. Do not puncture, cut, shorten, or splice the LED cable strip (except where marked). For outdoor use, make sure that all connections and the end cap in the last segment are tightly secured to preclude the entry of water.

DO NOT LOOK directly into the LEDs when lit. They are powerful and could damage your vision.

ONLY AUTHORIZED PERSONNEL must handle and install the strips. Follow the national electric codes and regulation during installation.

For more detailed information of the product, please refer to the product catalogue or contact us in case of any question.